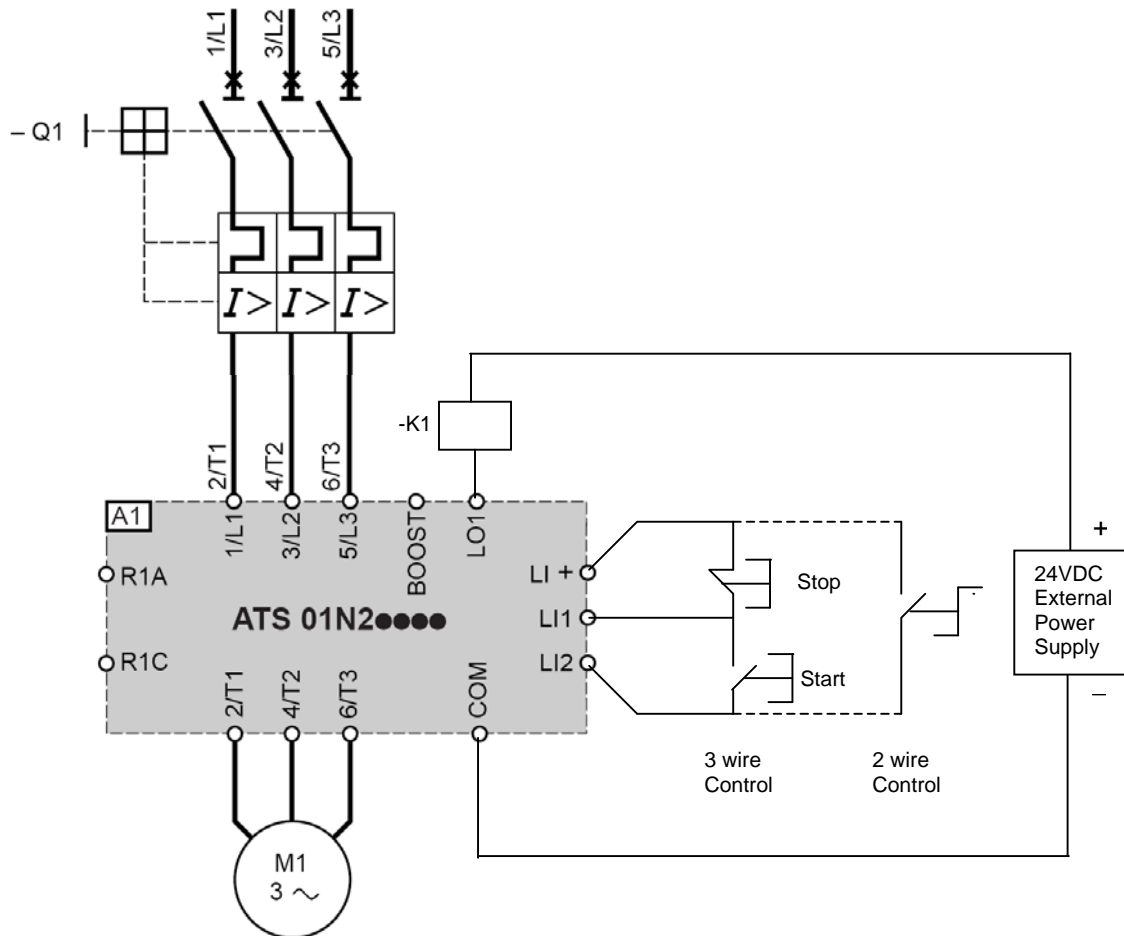


Technical Note - 02

ATS01N2 Series

Wiring Example



Code	Description
A1	Soft start/soft stop unit
Q1	GV2 ME circuit-breaker
K1	Interface Relay
LI+	36V DC, 10mA
LO1	End of starting - Open Collector Output 200mA max.
R1A - R1C	Volt free relay contact rated 250V AC 2A

Application Guide:

R1A – R1C: Closes on startup and opens at the end of the ramp down period.

K1: LO1 = 0v at the end of starting ramp (=at speed). Causing K1 to energise
 LO1 = Open circuit *before* stop ramp down. Causing K1 to de-energise
e.g can be used for controlling power factor correction contactor.

Written By : David Latimer
 Approved Technical: Mike Donaldson
 Approved Marketing: Richard Pratley

Applications Engineer
 Technical Manager
 Product Manager

Date: 25-Sep-07
 Ref: Tech Note 02
 Version: 1.1