

# Prisma Plus

Pack Distribution Boards

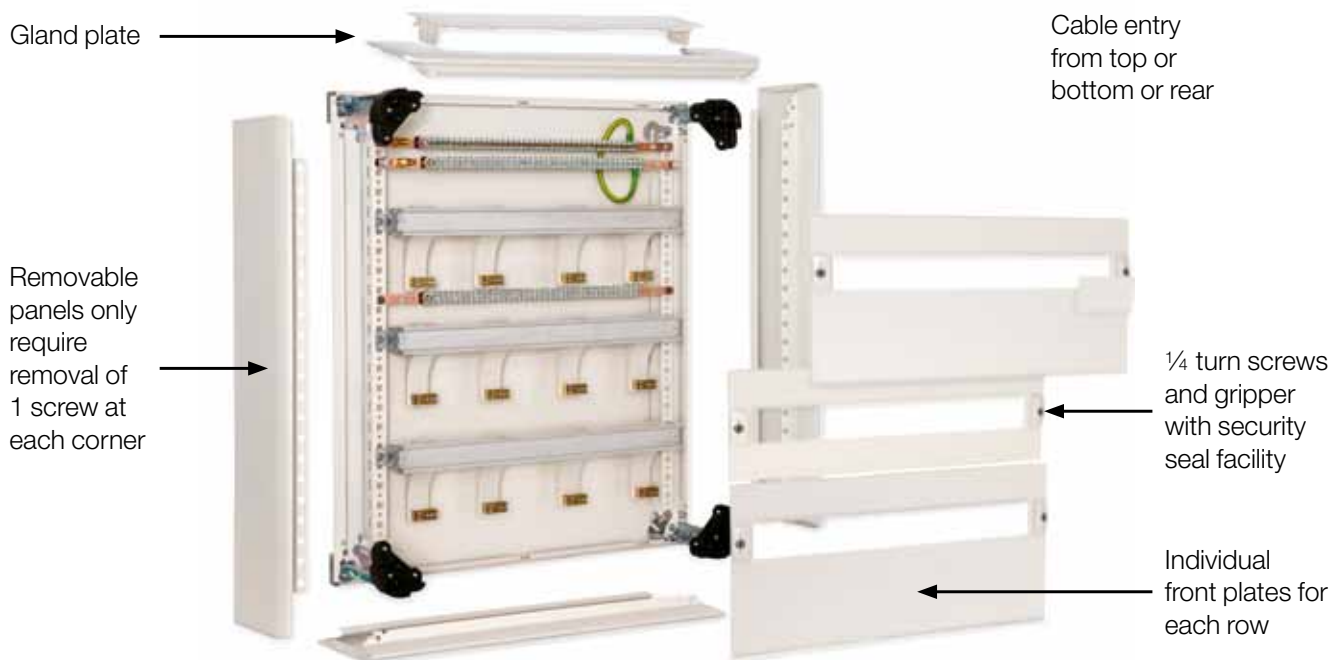


1

Easy Code  
Complete Product  
Simple Solution

# DBPS Series – Prisma Plus

## Metal Surface Mounting Boards



## The new complete pack distribution board from Prisma Plus

- > New single ordering code for a fully assembled distribution board.
- > A metal distribution board available in 2–6 rows, 48–144 ways rated to 100 amps single phase, 10kA, IP30.
- > Supplied with 15 way 100 amp single phase insulated comb bars, neutral and earth bars, circuit labels and MEN link.
- > With two door options; metal or glass which can be mounted for left or right hand opening lockable handle supplied as standard, both types have a simple hinge pin to enable easy assembly and removal for the electrician.
- > Recess kit available for walls 120mm deep.
- > Ample wiring room with 60mm between DIN rails and back plate, 30mm between neutral bars and back plate.





**Cat No. DBPS48 2 Row, 48 Way, Metal Door**  
**Cat No. DBPS48G 2 Row, 48 Way, Glass Door**

Busbar:	3 x 15 way 1 Ø 100A insulated comb
N Bar:	40 x 16mm <sup>2</sup> + 1 x 35mm <sup>2</sup> clamp terminals + 1 x M6 Stud 8 x 4 way 6mm <sup>2</sup> tunnel terminals
E Bar:	40 x 16mm <sup>2</sup> + 1 x 35mm <sup>2</sup> clamp terminals + 1 x M6 Stud
Pole Fillers:	3 x 5 way divisible strip (W = 90mm)
Board Size:	480mm H x 555mm W x 186mm D
Weight:	with Metal Door 13.5kg, with Glass Door 13.8kg



**Cat No. DBPS72 3 Row, 72 Way, Metal Door**  
**Cat No. DBPS72G 3 Row, 72 Way, Glass Door**

Busbar:	5 x 15 way 1 Ø 100A insulated comb
N Bar:	40 x 16mm <sup>2</sup> + 1 x 35mm <sup>2</sup> clamp terminals + 1 x M6 Stud 12 x 4 way 6mm <sup>2</sup> tunnel terminals
E Bar:	80 x 16mm <sup>2</sup> + 2 x 35mm <sup>2</sup> clamp terminals + 1 x M6 Stud
Pole Fillers:	3 x 5 way divisible strips (W = 90mm)
Board Size:	630mm H x 555mm W x 186mm D
Weight:	with Metal Door 16.75kg, with Glass Door 17.15kg



**Cat No. DBPS96 4 Row, 96 Way, Metal Door**  
**Cat No. DBPS96G 4 Row, 96 Way, Glass Door**

Busbar:	6 x 15 way 1 Ø 100A insulated comb
N Bar:	40 x 16mm <sup>2</sup> + 1 x 35mm <sup>2</sup> clamp terminals + 1 x M6 Stud 16 x 4 way 6mm <sup>2</sup> tunnel terminals
E Bar:	80 x 16mm <sup>2</sup> + 2 x 35mm <sup>2</sup> clamp terminals + 1 x M6 Stud
Pole Fillers:	6 x 5 way divisible strips (W = 90mm)
Board Size:	780mm H x 555mm W x 186mm D
Weight:	with Metal Door 21kg, with Glass Door 21.4kg



**Cat No. DBPS120 5 Row, 120 Way, Metal Door**  
**Cat No. DBPS120G 5 Row, 120 Way, Glass Door**

Busbar:	8 x 15 way 1 Ø 100A insulated comb
N Bar:	40 x 16mm <sup>2</sup> + 1 x 35mm <sup>2</sup> clamp terminals + 1 x M6 Stud 20 x 4 way 6mm <sup>2</sup> tunnel terminals
E Bar:	120 x 16mm <sup>2</sup> + 3 x 35mm <sup>2</sup> clamp terminals + 1 x M6 Stud
Pole Fillers:	6 x 5 way divisible strips (W = 90mm)
Board Size:	930mm H x 555mm W x 186mm D
Weight:	with Metal Door 24.7kg, with Glass Door 25.1kg



**Cat No. DBPS144 6 Row, 144 Way, Metal Door**  
**Cat No. DBPS144G 6 Row, 144 Way, Glass Door**

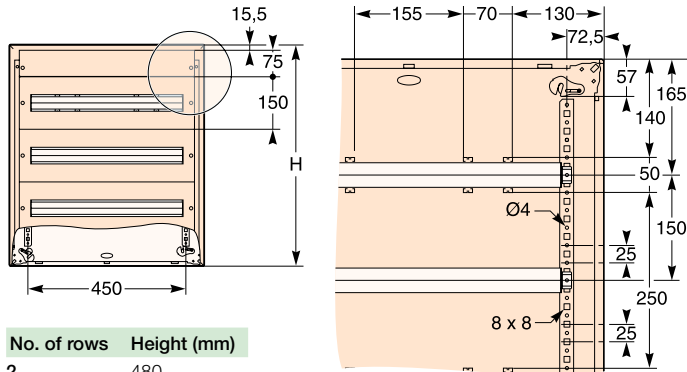
Busbar:	9 x 15 way 1 Ø 100A insulated comb
N Bar:	40 x 16mm <sup>2</sup> + 1 x 35mm <sup>2</sup> clamp terminals + 1 x M6 Stud 24 x 4 way 6mm <sup>2</sup> tunnel terminals
E Bar:	120 x 16mm <sup>2</sup> + 3 x 35mm <sup>2</sup> clamp terminals + 1 x M6 Stud
Pole Fillers:	6 x 5 way divisible strips (W = 90mm)
Board Size:	1080mm H x 555mm W x 186mm D
Weight:	with Metal Door 27.1kg, with Glass Door 27.6kg

# Dimensions

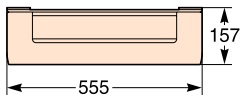
## Pack wall mount enclosures

### Wall-mount enclosure

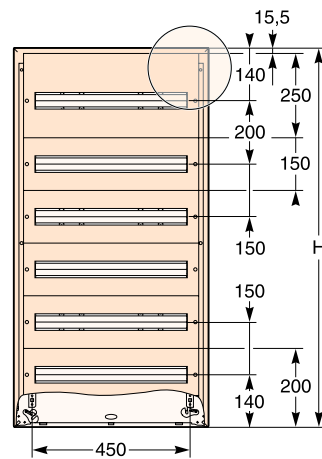
#### 2 and 3-row wall-mount enclosures



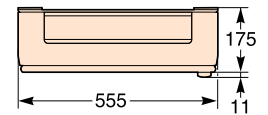
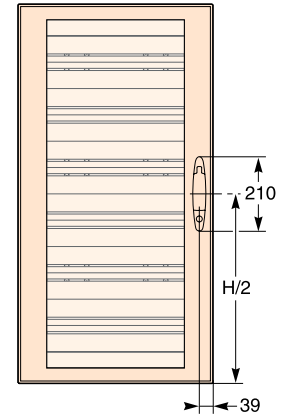
No. of rows	Height (mm)
2	480
3	630
4	780
5	930
6	1080



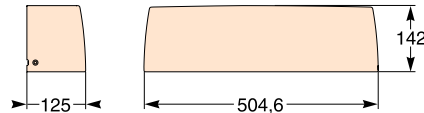
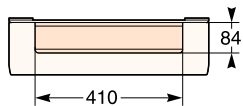
#### 4, 5 and 6-row wall-mount enclosures



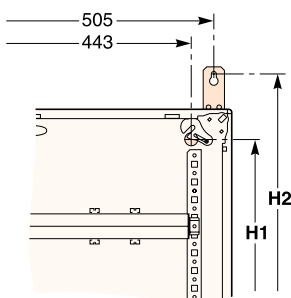
### Door



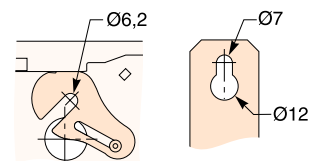
### Gland plates



### Wall mounting



No. of rows	Heights (mm)	
	H1	H2
2	396	546
3	546	696
4	696	846
5	846	996
6	996	1146



For additional components or accessories please refer to the Prisma Plus section of the Schneider Electric A4 Catalogue or contact Customer Care Tel. 0800 652 999.

© 2010 Schneider Electric. As standards, specifications and designs change from time to time, always ask for confirmation of the information given in this publication.

#### Schneider Electric (NZ) Ltd.

38 Business Parade South, East Tamaki, Manukau 2013  
 PO Box 259370, Botany, Manukau 2163  
 Tel: +64 9 829 0490 Fax: +64 9 829 0491

Customer Care: 0800 652 999  
 Email: sales@nz.schneider-electric.com  
 www.schneider-electric.co.nz

